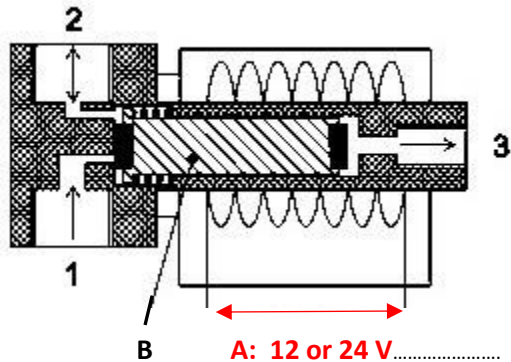


System/ Components Page

Solenoid

The solenoid is located under the pump.



- By energizing Solenoid A, plunger B is lifted and connection 1 to 2 is effected. Connection 3 will be closed.
- After the grease cycle, the energizing shuts off, solenoid A is closing the connection 1 and the air pressure relieves via connection 3.

(from Ecostar Manual, Ed. 12/12)



←-Screw

The Manual Override can be used to check that the system is working properly. To test the system manually (eliminating the timer and all electrical), with the air pressure on full (140 psi), turn the screw $\frac{1}{4}$ turn to horizontal. This opens port 1 to 2 (above diagram) and engages the pump.

Be sure to turn the screw back to vertical. Air will escape from port 3. If the solenoid screw is not returned to the vertical position, the solenoid will not operate.

**** Always return the SOLENOID SCREW to VERTICAL to engage the system.
Screw in horizontal is manual mode.**